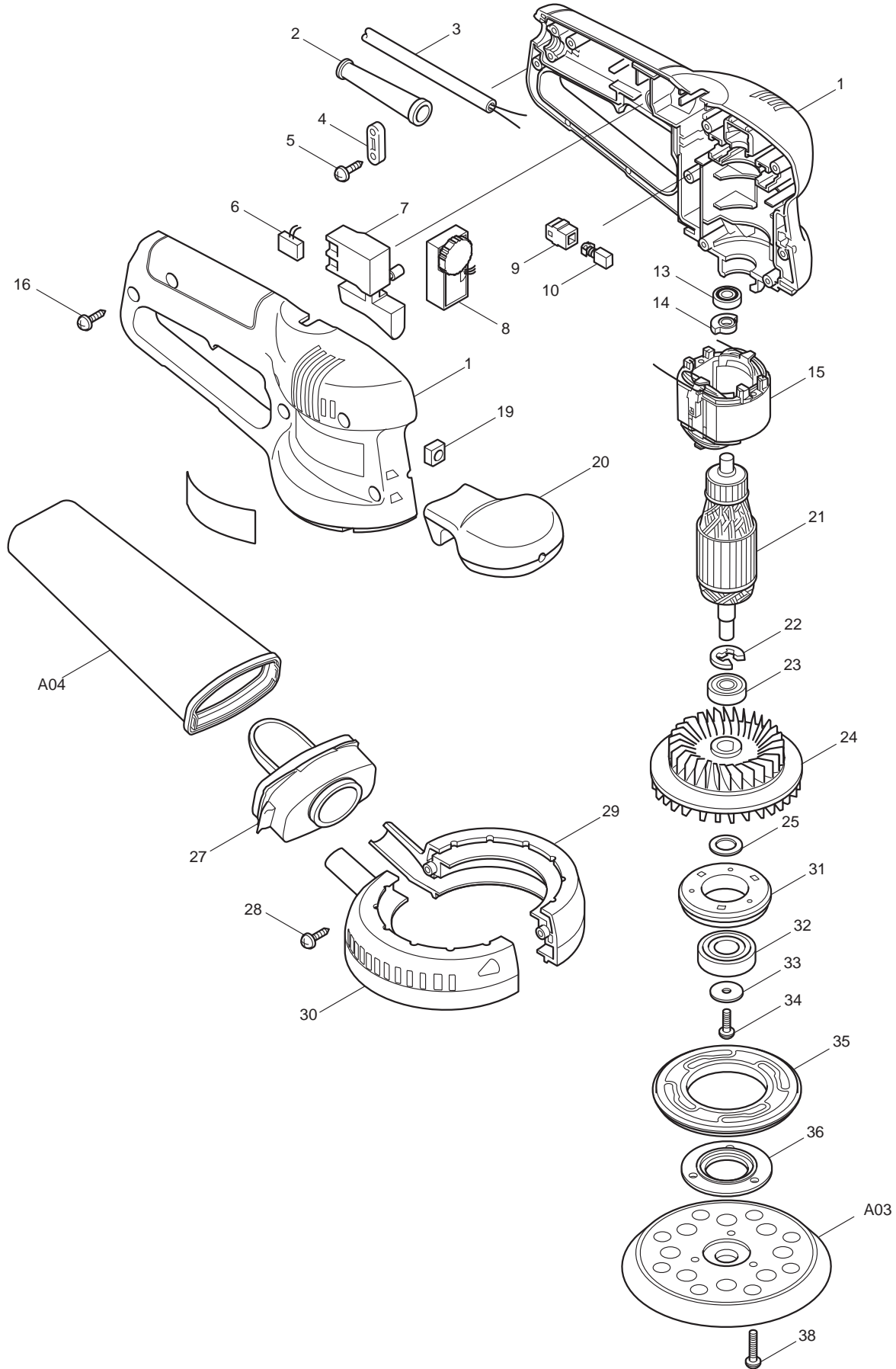




03 - 2010
BO5021 / BO5021K
5" RANDOM ORBITAL SANDER V.S.



Item No.	Type	Sub	Part No.	Description	Qty	Unit
1			183108-6	HOUSING SET	1	SET
		INC.	263002-9	RUBBER PIN 4	4	PC.
2			682502-4	CORD GUARD 8-85	1	PC.
3			664002-6	CORD W/PLUG 2P-18-2.0M, SJT	1	PC.
			660002-4	CORD W/PLUG 2P-18-2.0M, SJ (Optional)		
4			687063-9	CORD CLAMP (OLD# 687052-4)	1	PC.
5			265995-6	TAPPING SCREW 4X18	2	PC.
7			651286-5	SWITCH SGEL206C-5	1	PC.
8			631351-6	CONTROLLER	1	PC.
9			643552-4	BRUSH HOLDER 5-8	2	PC.
10	1		191956-9	CARBON BRUSH CB-75 2PC/SET (W/O ORIGIN)	1	SET
	2		194971-2	CARBON BRUSH CB-75 2PC/SET (W/ ORIGIN)	1	SET
13			210017-7	BALL BEARING 607DDW	1	PC.
14			313080-0	COUNTER WEIGHT	1	PC.
15			633431-4	FIELD 115V	1	PC.
16			265995-6	TAPPING SCREW 4X18	8	PC.
19			252045-6	SQUARE NUT M5	1	PC.
20			168324-1	FRONT GRIP	1	PC.
21			517231-9	ARMATURE ASS'Y 115V	1	PC.
		INC.		Item No. 13,14,22,23		
22			961015-1	STOP RING E-9	1	PC.
23			210020-8	BALL BEARING 6000LLU	1	PC.
24			241896-2	FAN 88	1	PC.
25			253315-6	THIN WASHER 15	1	PC.
27			151518-5	DUST NOZZLE COMPLETE	1	PC.
28			265995-6	TAPPING SCREW 4X18	2	PC.
29			183088-6	SKIRT SET	1	SET
31			316835-2	BEARING BOX	1	PC.
32	1		211227-9	BALL BEARING 6002DDW - N/L/A	1	PC.
	2		211236-8	BALL BEARING 6002DDW	1	PC.
33			253739-6	FLAT WASHER 4	1	PC.
34			911116-5	PAN HEAD SCREW M4X12	1	PC.
35	1		416062-2	BRAKE RING (YELLOWISH WHITE) - N/L/A	1	PC.
	2		421866-9	BRAKE RING (BLACK)	1	PC.
36			316834-4	BEARING BOX COVER	1	PC.
38			911128-8	PAN HEAD SCREW M4X16	3	PC.
100			654562-6	INSULATED CONNECTOR	1	PC.
101			652008-6	P.H. SCREW M3.5X7	6	PC.
102			654037-5	INSULATED EYETERMINAL FV1.25-M3	2	PC.
103			654037-5	INSULATED EYETERMINAL FV1.25-M3	4	PC.
104			654077-3	INSULATED EYE TERMINAL	1	PC.

ACCESSORIES

- See catalogue or visit www.makita.ca for other optional accessories -

A01			794250-1	5" HOOK & LOOP ABRASIVE DISC 120G, 5PC/SET	1	PC.
A02	1		183782-0	PLASTIC CARRYING CASE	1	PC.
		INC.	416661-0	LATCH	2	PC.
	2		824562-2	PLASTIC CARRYING CASE	1	PC.
		INC.	416661-0A	LATCH	2	PC.
A03	1		743051-7	PAD 123	1	PC.
	2		743081-8	PAD 123	1	PC.
A04			151517-7	DUST BAG COMPLETE	1	PC.
A05			794558-6	SPONGE PAD 125	1	PC.
A06			794559-4	FELT PAD 125	1	PC.
A07			794560-9	WOOL PAD 140	1	PC.
A08			192349-3	JOINT 25	1	PC.
A09			192278-0	HOSE COM. 28-1.5M	1	PC.